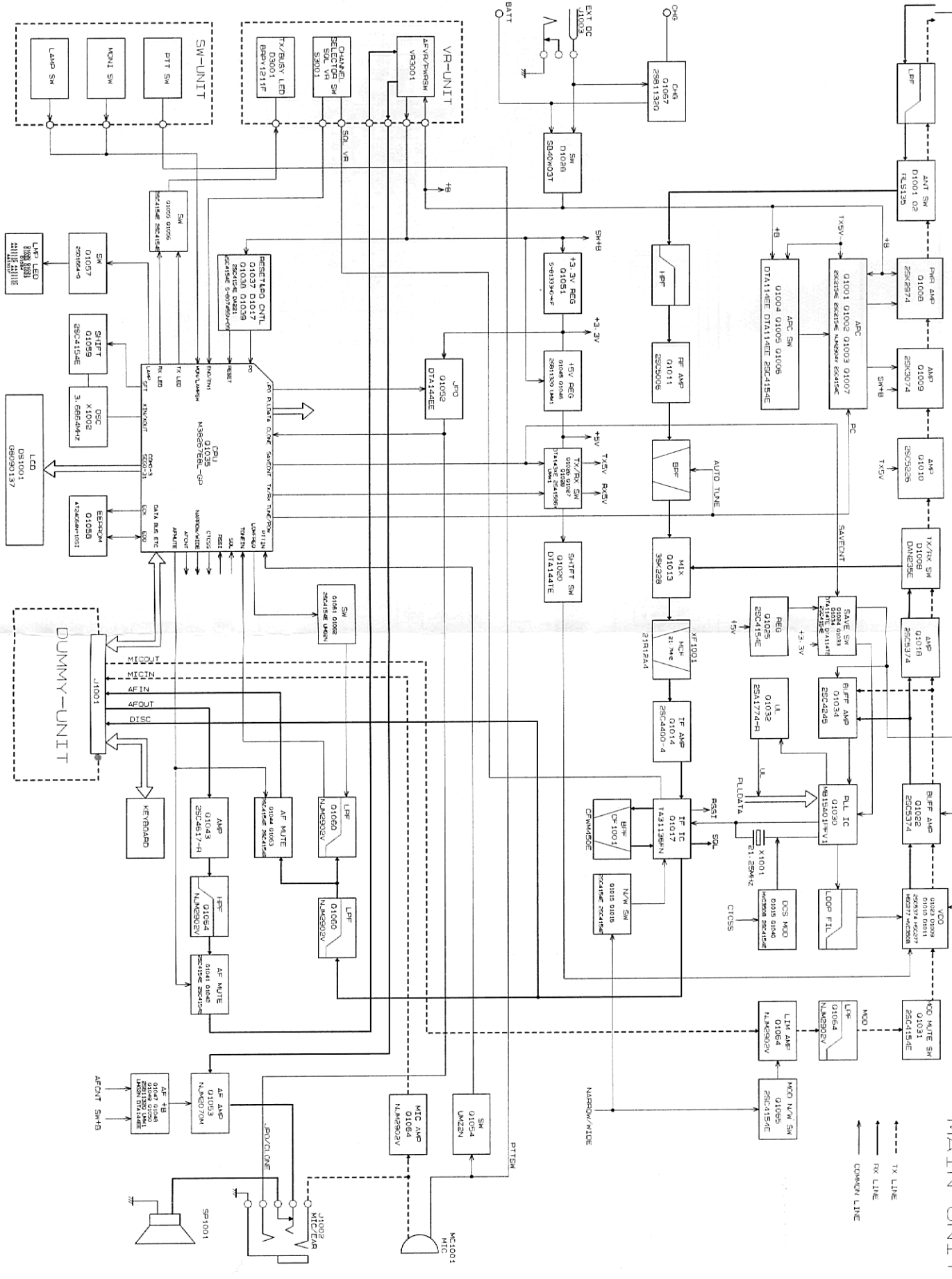
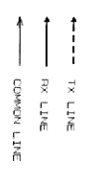


FOR 144-149MHz

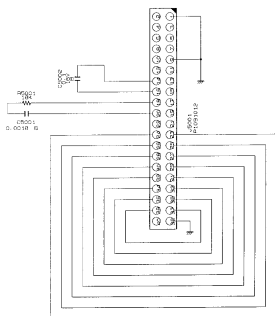
TX 144-149MHz
RX 122.3-126.3MHz

MAIN-UNIT



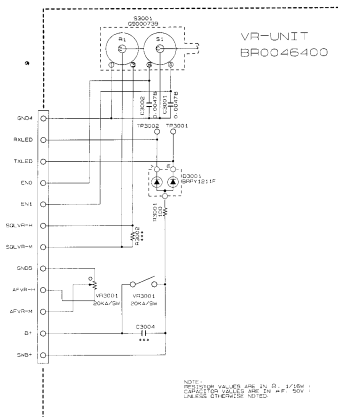
DUMMY-UNIT

BR0025100

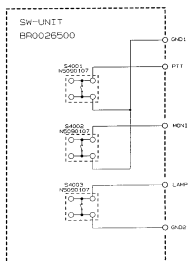


NOTE:
RESISTOR VALUES ARE IN Ω, 1/16W;
CAPACITOR VALUES ARE IN μF, 50V;
CAPACITANCE TOLERANCE NOTED.

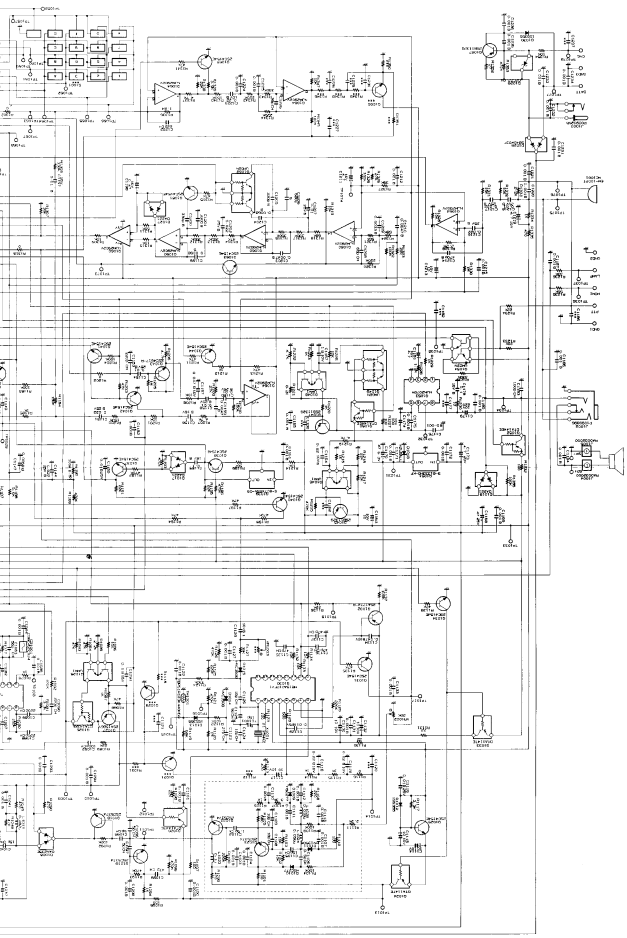
VR-UNIT
BR0026400

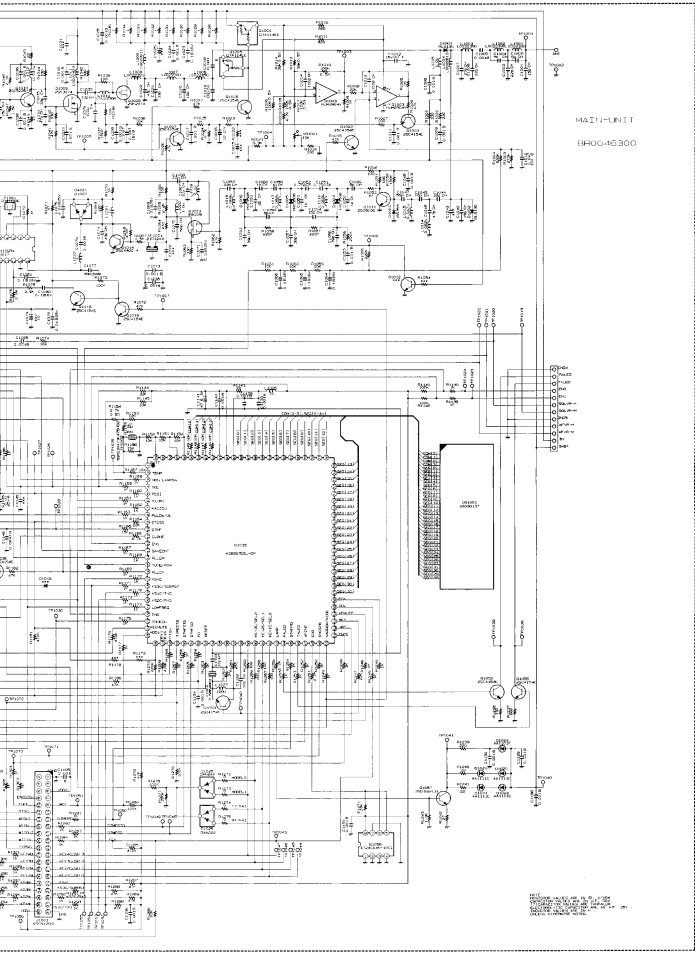


SW-UNIT
BR0026500



VX-150 CIRCUIT DIAGRAM





MA11-UNIT
BROG-0088

- 1. 10K
- 2. 10K
- 3. 10K
- 4. 10K
- 5. 10K
- 6. 10K
- 7. 10K
- 8. 10K
- 9. 10K
- 10. 10K
- 11. 10K
- 12. 10K
- 13. 10K
- 14. 10K
- 15. 10K
- 16. 10K
- 17. 10K
- 18. 10K
- 19. 10K
- 20. 10K
- 21. 10K
- 22. 10K
- 23. 10K
- 24. 10K
- 25. 10K
- 26. 10K
- 27. 10K
- 28. 10K
- 29. 10K
- 30. 10K
- 31. 10K
- 32. 10K
- 33. 10K
- 34. 10K
- 35. 10K
- 36. 10K
- 37. 10K
- 38. 10K
- 39. 10K
- 40. 10K
- 41. 10K
- 42. 10K
- 43. 10K
- 44. 10K
- 45. 10K
- 46. 10K
- 47. 10K
- 48. 10K
- 49. 10K
- 50. 10K
- 51. 10K
- 52. 10K
- 53. 10K
- 54. 10K
- 55. 10K
- 56. 10K
- 57. 10K
- 58. 10K
- 59. 10K
- 60. 10K
- 61. 10K
- 62. 10K
- 63. 10K
- 64. 10K
- 65. 10K
- 66. 10K
- 67. 10K
- 68. 10K
- 69. 10K
- 70. 10K
- 71. 10K
- 72. 10K
- 73. 10K
- 74. 10K
- 75. 10K
- 76. 10K
- 77. 10K
- 78. 10K
- 79. 10K
- 80. 10K
- 81. 10K
- 82. 10K
- 83. 10K
- 84. 10K
- 85. 10K
- 86. 10K
- 87. 10K
- 88. 10K
- 89. 10K
- 90. 10K
- 91. 10K
- 92. 10K
- 93. 10K
- 94. 10K
- 95. 10K
- 96. 10K
- 97. 10K
- 98. 10K
- 99. 10K
- 100. 10K